

Interface converter FSS-RS422-USB



Schneid GesmbH | Gewerbering 16 | A-8054 | Graz/Pirka | Tel: +43 (316) 285022

Produkte, Datenblätter, Dokumentationen, MR12-SCHEMA-Rechner: www.schneid.at

Interface converter FSS-RS422-USB standard

USB to RS422 SCHNEID data bus

Order number: 020.08784

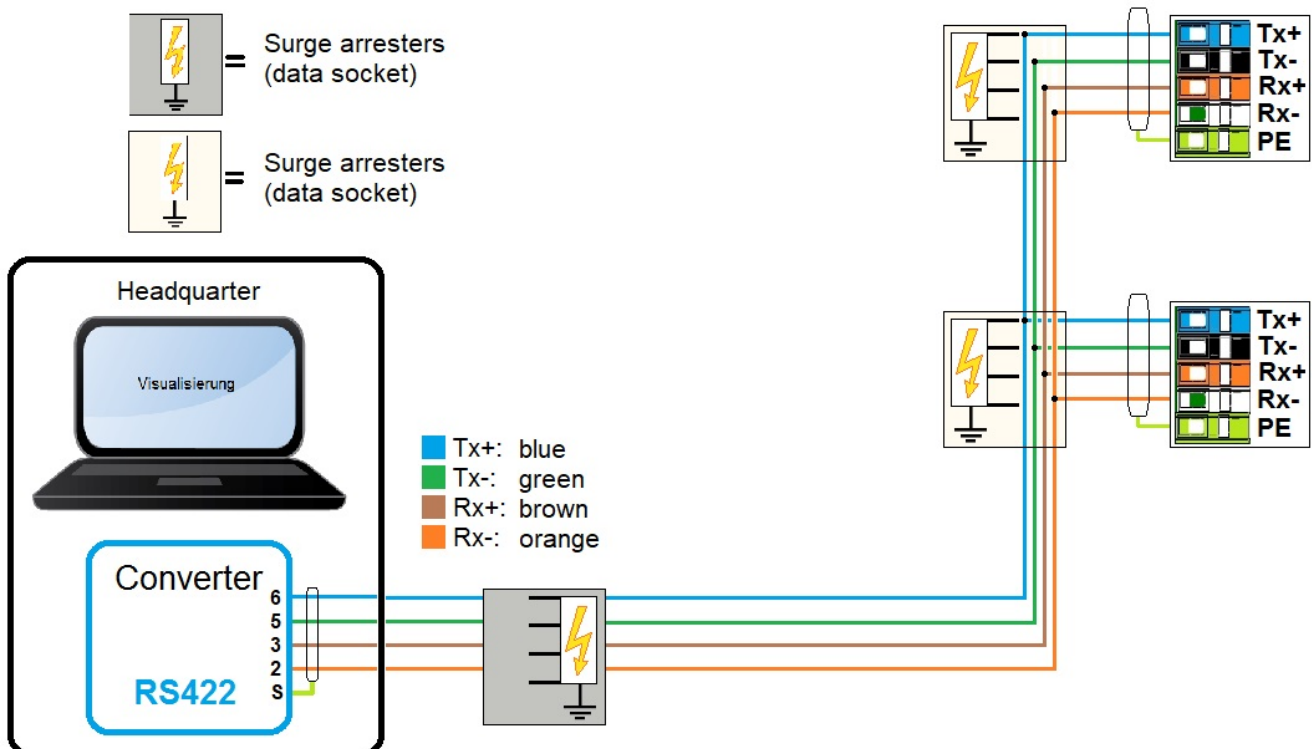
Order code: Schnittstellenumsetzer FSS-RS422-USB Standard



Overview:

The SCHNEID FSS-RS422-USB interface converter is used to connect the USB interface of a terminal device (visualization computer, etc.) and the bus participants of the SCHNEID-FSS product family based on an RS422 four-wire bus.

Terminal diagram:



Interface converter FSS-RS422-USB

Scope of delivery:

SCHNEID FSS-RS422-USB interface converter, USB connection cable and a four-pin FSS connection cable.

Technical specifications:

Intrastat Number:	8537.10.91.90
Country of origin	EU/AT
Height, width, depth (in mm)	132x78x38mm
Weight (in kg)	0,283
Degree of protection	IP-00
Ambient temperature	0°C....+40°C
Operating time	Dauerbetrieb
Degree of pollution	2